

# CLUBSPOT 7.5

MODEL 1239

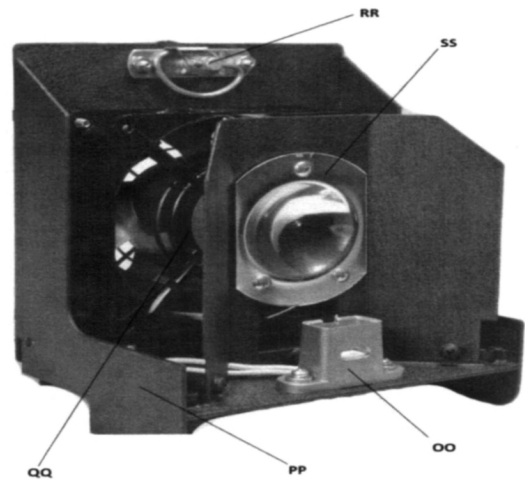
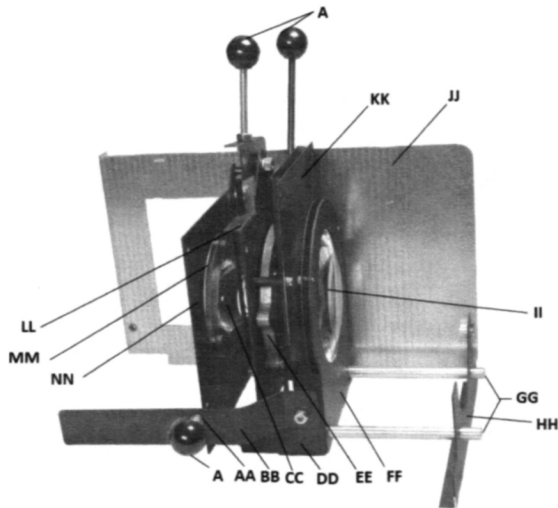
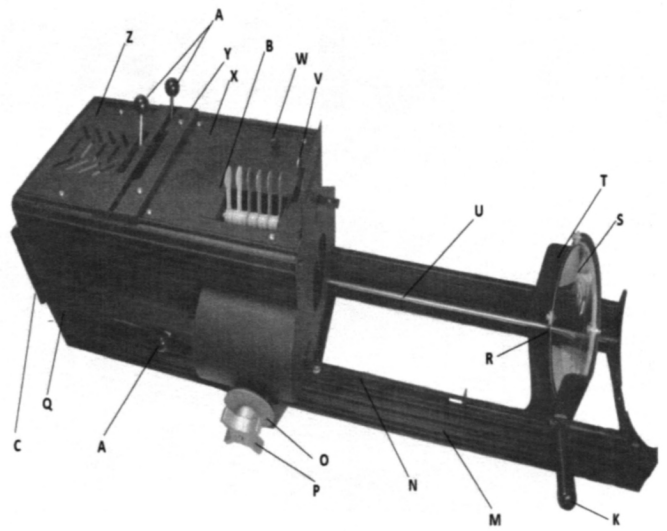
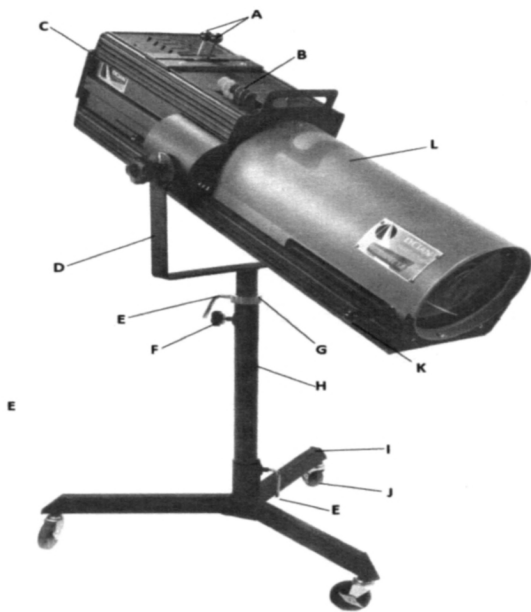
PARTS LIST  
AND INSTRUCTIONS

MADE IN THE  
UNITED STATES of AMERICA



**LYCIAN**  
STAGE LIGHTING

1144 Kings Highway  
Sugar Loaf, NY 10981  
(845) 469-2285  
[www.lycian.com](http://www.lycian.com)



- A 120659 Ball Knob
- B 12396X Color Boom
- C 120618 Rear Follow Handle
- D 12398X Yoke
- E 120642 Gold Height Lever
- F 120617 1-5/8" Pan Knob
- G 280 Collar
- H 120631A Base Pipe
- I 428 Small Base Asmb.
- J 940 Caster
- K 663 Front Follow Knob
- L 12397X Front Cowling
- M 12391X Main Asmb.
- N 39129 Front Lens Locking Bar
- O W3/8 Spring ,396 Fiber Washer
- P 1209300 Aluminum Knob
- Q S10-32X8P Long Screw
- R 443 Blue Bearing

- S 39140 Front Lens
- T 12394X Front Lens Asmb.
- U 39121 Front Guide Rod
- V 12388X Fader Asmb.
- W 120629 Housing Knob
- X 39112 Front Top
- Y 39127 Aperture Cover
- Z 39112R Rear Top
- AA W1/4TE Washer, 126664 Spring
- BB 39128 Rear Lens Push Rod
- CC 39142 Condenser Lens
- DD 39110 Rear Lens Trolley
- EE 120641 Iris
- FF 12395X Rear Lens Asmb.
- GG 39134 Rear Guide Rods
- HH 39107 Rear Guide Rod Support
- II 39141 Rear Lens
- JJ 39104B Left Inner Chassis Plate

- KK 324 Gobo Slot
- LL 12399X Shutter Asmb.
- MM 39102 &103 Lens Retaining Ring
- NN 39102 Condenser Lens Plate
- OO 121268 Socket
- PP 12393X Lamp Asmb. Module
- QQ 120640 70CFM Fan
- RR 354 Black Knob Latch
- SS 202553 Reflector

**Parts not Shown**

- 39104 Right Chassis Side
- 39113 Light Baffle
- 120638 Fan Guard
- 127144 Safety Switch
- 123624 On/Off Switch
- 123910X Line Cord
- 81244 Cord Strain Relief

# OPERATING INSTRUCTIONS FOR MODEL #1239 - CLUBSPOT 7.5

## Setting Up

The 1239 comes in two parts: The head, and the base/pole assembly. To begin, set the yoke/pole (D&H) into the base. Tighten the lower gold height lever (E). Place the head into the yoke (D) Making Sure that the 3" fiber washer (O) is between the yoke and spotlight housing, and the cup washers are between the yoke and tilt knob.

Adjust the spotlight height (Maximum additional height is 13") by lifting the spotlight head/yoke. Tighten the gold height lever on the silver collar (G).

The plastic pan knob (F) is for pan friction.

### (CAUTION):

A SAFETY CABLE MUST BE USED IF THE FOLLOW SPOTLIGHT IS OPERATED ABOVE PEOPLE.

## Lamp Installation

Lamp Types - ANSI Code - GLD

OSRAM 54522 GLD

Phillips 6981P

Make Sure the spotlight is unplugged.

As a precaution, a safety switch disconnects power to the lamp and fan when the lamp door is opened. The lamp compartment, located on the rear partition, is opened by a twist of the black knob (RR) and pulling out and down. Insert the lamp into the socket (OO), taking care not to touch the glass envelope, and checking that the lamp is seated properly.

No lamp alignment necessary.

## Color Boomerang

A six color, friction style boomerang is included (B) with the spotlight.

It is recommended that only high heat color media be used. To remove the color boomerang from the spotlight, remove knob (w) and lift out.

Any number of frames can be inserted into the light beam at any one time. When securing the color media into the color frames, use ether brass paper fasteners or (4") wire ties for a more secure hold.

## Beam Control

Two top mounted controls operate the beam shaping for the spotlight. The rear most control, operates the chopping shutter, for horizontal cutoff of the projected beam. The front most control, changes the diameter. The front follow handle (K), and the ball knob, (A) located on the side, towards the rear of the spotlight, control the optical zoom. For the longer throws and the brightest light, the front follow handle (K) should be moved to the forward most position. Unlock the control by twisting it counterclockwise a few turns. The rear ball knob (A) can slide forward or back to obtain the desired focus. Sliding the front follow handle Towards the rear, and adjusting the ball knob will yield larger beam diameters. A fader control (V) is located near the color boomerang sliding this silver knob from left to right will yield various intensities from full to blackout.

## Maintenance and Service

**(CAUTION)** DISCONNECT THE SPOTLIGHT FROM ELECTRICAL POWER PRIOR TO ANY CLEANING OR RELAMPING TO PREVENT ELECTRIAL SHOCK.

**Cleaning:** Periodic cleaning of the spotlight is required for peak operation performance. The lenses may be cleaned with alcohol or lens cleaner solution. Be especially careful not to get finger prints on the first lens, (CC) the one next to the lamp. The oil from a finger may burn into the lens and create a blur in the projected beam. It is best to clean this lens with alcohol if a fingerprint is accidentally made.

### TROUBLESHOOTING GUIDE

Make sure the spotlight is plugged into a live outlet of the proper voltage.

- 1) Fan running, lamp not lit - defective lamp  
-defective socket
- 2) No fan or lamp - defective safety switch  
- defective ON/OFF Switch

