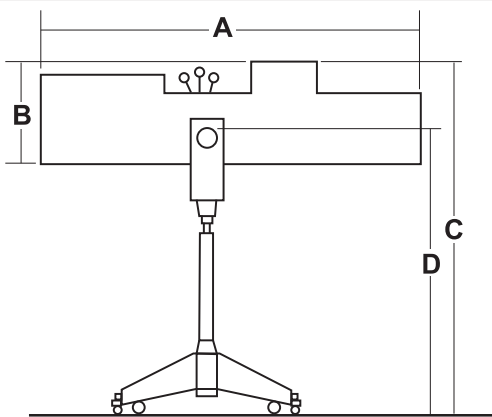


MODEL 1279 SUPER STAR^{2.5}

ARCHITECTS' & ENGINEERS' SPECIFICATIONS

The luminaire shall be a 2500 watt follow spotlight designed to be used with various manufacture's 2500 single ended metal halide lamps. Xenon lamps shall not be acceptable. The optical train shall consist of a precision electro-formed reflector, heavy duty nichrome iris, chopping shutter, gobo holder, fader, effects slot; dual control, variable focus zoom lens system; a rapid focus knob (located next to the top mounted iris/shutter controls) for quick operation during performance. All lenses shall be clear optical grade glass. Lamp field control and "x" - "y" axes shall be external; internal controls shall not be acceptable. A six color automatic self-cancelling color boomerang shall be provided. The color boom shall be mounted sufficiently back from the front of the spotlight for ease of operation and for greater stability during color changes. Front mounted boomerangs shall not be accepted. A safety switch shall be fitted to the lamp house top. Power to the spotlight shall be controlled via two push-buttons mounted in the spotlight head. Removal of the lamp-house top or loss of power shall render the spotlight in the "off" mode. Replacement of the top or reinstating power will not unexpectedly re-light the lamp. Spotlights that unexpectedly re-light the lamp shall not be acceptable. To re-strike the lamp will require a momentary push of the "on" button. A quick release multi pin connector shall be mounted on the bottom of the spotlight for connection to the remote ballast unit. The unit shall include an elapsed time meter. The yoke shall allow for a maximum tilt of 45 degrees below horizontal and 35 degrees above horizontal. A stable four legged folding base with locking casters and leveling jacks shall be provided. The spotlight shall be fan cooled and be internally switchable from 208v to 240v, 50 or 60 hz. Housing dimensions (not on base) shall not exceed 66-3/4" (L) x 19 (W) x 18-1/4" (H) including all controls. Net weight of the spotlight shall not exceed 129 lbs. and 39 lbs. for the base including the pole. The spotlight body shall be constructed of cold rolled sheet steel and aluminum extrusion finished in light gray and black powder coated wrinkle finish. Photometric data shall conform to the table provided. The spotlight shall be the Lycian Stage Lighting SuperStar 2.5 Model 1279.

DIMENSIONS



- A. Head length - 66-3/4"**
- B. Head height - 18-1/4"**
- * C. Overall height with base - 55-1/2"**
- * D. Height of pivot - 44-1/4"**
- * Additional upward height adjustment of 6"**
- Width of base - 39"**
- Maximum width of head - 20-3/4"**
- Head weight - 139 lbs**
- Base weight - 39 lbs**

PHOTOMETRICS

THROW in FEET	100 ft.	150 ft.	200 ft.	300 ft.	450 ft.
MINIMUM SPOT (w IRIS)					
Footcandles	800	356	200	89	40
Diameter (inches)	7"	10"	14"	21"	31"
SMALL SPOT					
Footcandles	800	356	200	89	40
Diameter (feet)	5'	8.6'	11.5'	17.2"	25'
MAXIMUM FLOOD					
Footcandles	37	16	9		
Max. Diameter (feet)	12.6'	19'	25.2'		



LYCIAN
STAGE LIGHTING

LYCIAN STAGE LIGHTING • P.O. BOX D • SUGAR LOAF NY • 10981-0214 • U.S.A.
PHONE: 845 / 469-2295 • FAX: 845 / 469-5355
www.lycian.com All specifications subject to change. © 1998 Lycian Stage Lighting