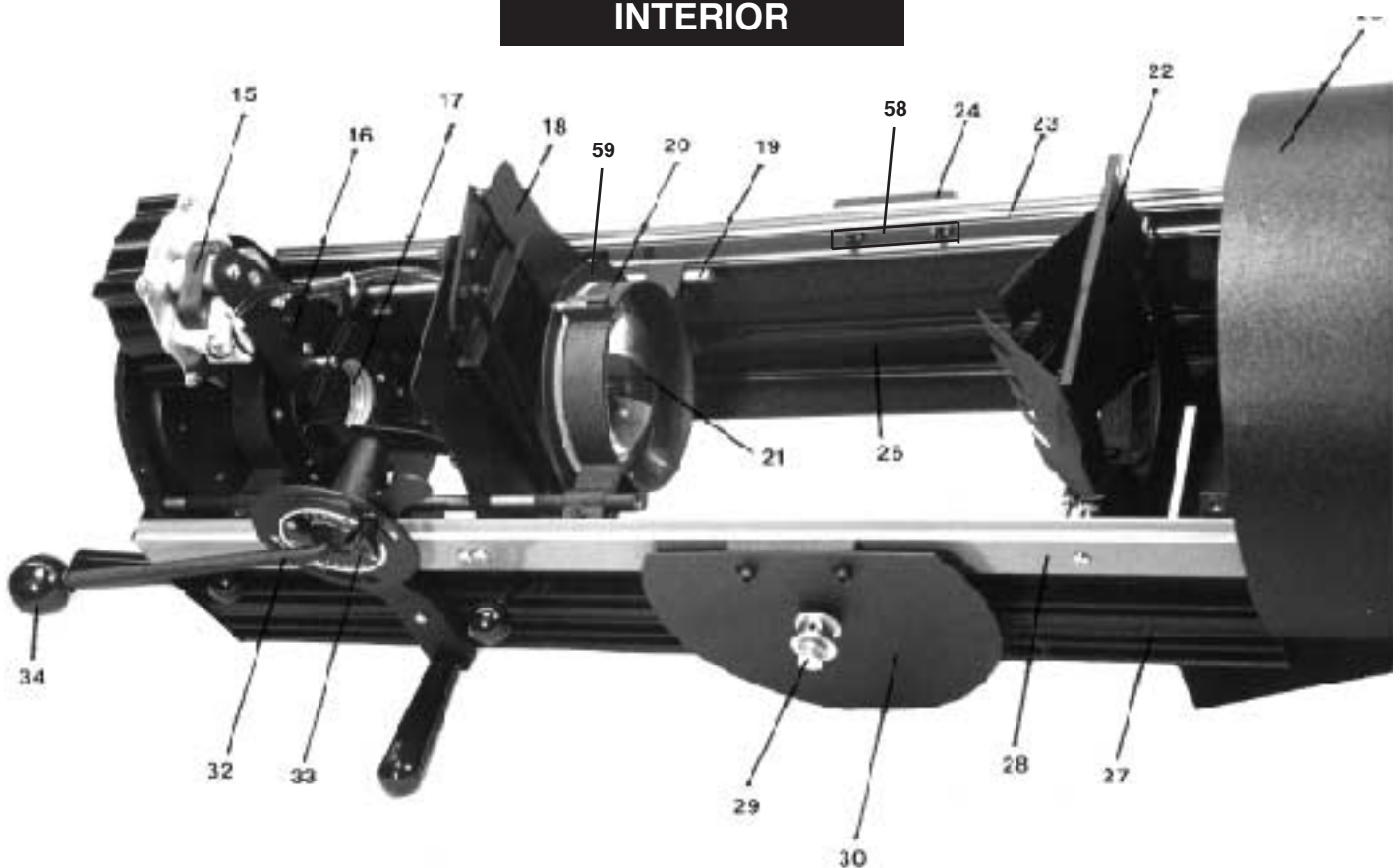
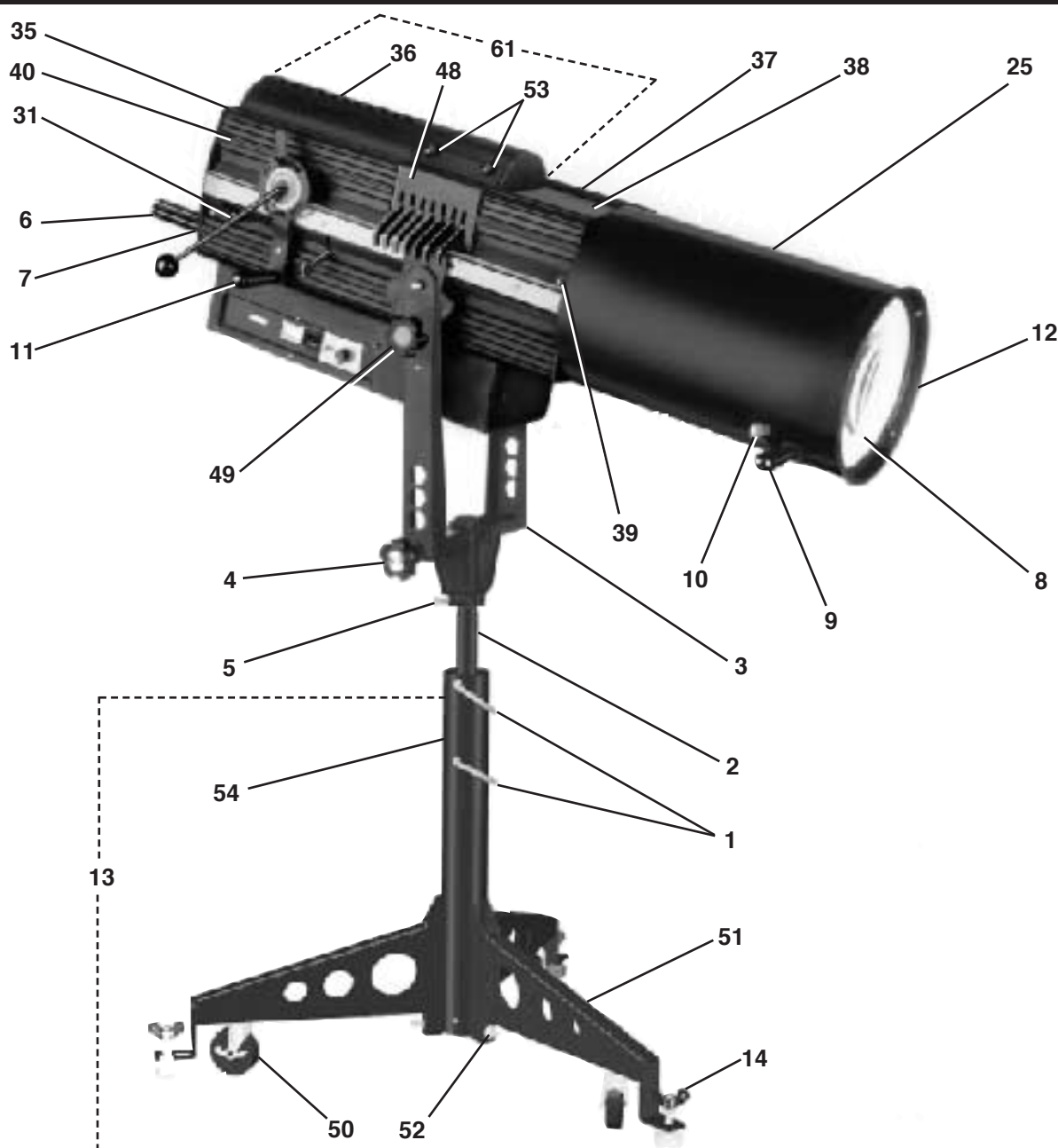


INTERIOR



ITEM	PART	DESCRIPTION
1	120642	Gold Height Lever
2	35101	Pole for Base
3	126657A	Yoke Assembly Less Knobs
4	120628	Pan Knob, 2-1/2", 5-point, M-3/8"
5	308	3/8" "TEE" Handle
6	287-4	4" Handle
7	271	Indicator
8	126755	Lens 11x39
9	120636	Follow Knob - 3/8" Male
10	126754	Front Fader Lever
11	120636	Follow Knob - 3/8" Male
12	35041	Snoot Bead
13	1315	Folding Base
14	217	Leveling Jack (for 1315)
15	126769	Top Blower for Lamp
16	126652X	Lamp Carriage Assembly
17	126686	Optic
18	126653X	Shutter assembly

ITEM	PART	DESCRIPTION
19	126671	Guide Rod
20	126662	Moving Extrusion with Rod
21	120663	4-1/2" x 6-1/2" Lens
22	126654X	Fader Assembly
23	126683A	Left Side Yoke Mount Extrusion
24	224A	Yoke Mount
25	126758	Lens Barrel
26	126650	Lower Left Side
27	126651	Lower Right Side
28	126682A	Right Side Yoke Mount Extrusion
29	126699X	Yoke Hardware One Side
30	126768	Brake Disk Yoke Mount
31	120659	1" Ball Knob
32	1266103X	Spot Size Control
33	126640	7/8" 3 Point Knob 10-32
34	126629	1-1/2" Ball Knob
35	126674	Rear Partition Top
36	126676	Dome top



ITEM	PART	DESCRIPTION
37	126648	Upper Left Side
38	126675	Front Partition-Top
39	126659	Housing Fastener- 3 parts
40	126649	Upper Right Side
41	402	Large Blower
42	120640	70 Cfm Fan
43	126610B	Supply End Plate (steel)
44	239	Selector Knob- 1/4"
45	410	Timer, Digital, DC
46	120670	Rocker Switch On/Off
47	913X	PCB Assembly
48	1266102X	Color Boomerang
49	35022	Tilt Knob, 2-1/2", 5-point, F-3/8"
50	940	Caster
51	131556	New Steel Base Leg
52	8561-S-12	Captive Screw
53	12095	Color Boom Knob
54	13152X	Outer Base Pole
55	285	Switch, SPDT, Bat Handle
56	284	Switch, 6 position
57	227	"Wattwatch" label
58	373	Yoke Mount Back Plate
59	126680	5" Lens Ring
60	126690X	"400" Power Supply Tray
61	1266102	Housing Top Assembly
62	239	Selector Knob, 4-1/2"
63	120638	Fan Guard, 4-1/2"

ITEM	PART	DESCRIPTION
Parts Not Shown		
92223		Lamp Connector Assembly
126655A		Fader Rod for 1267
126661		Iris
120639		Line Cord Assembly
126664		Focus Spring
126684		Back Door Knob
126689		3/8" Collar
1266100		Shaft Spring
210		Ball Joint
120657		Color Boom Release Spring
35005		Lamp Retention Spring
126639		Color frame
212		Circuit breaker - 15 Amp
925		HTI 400 Igniter
919X		400 Printed Circuit Assy.
254		Capacitor
92210		Transformer
92211		Transformer
126685		Lamp carriage spring
89-4		Relay
126615		Lycian Black Spray Paint