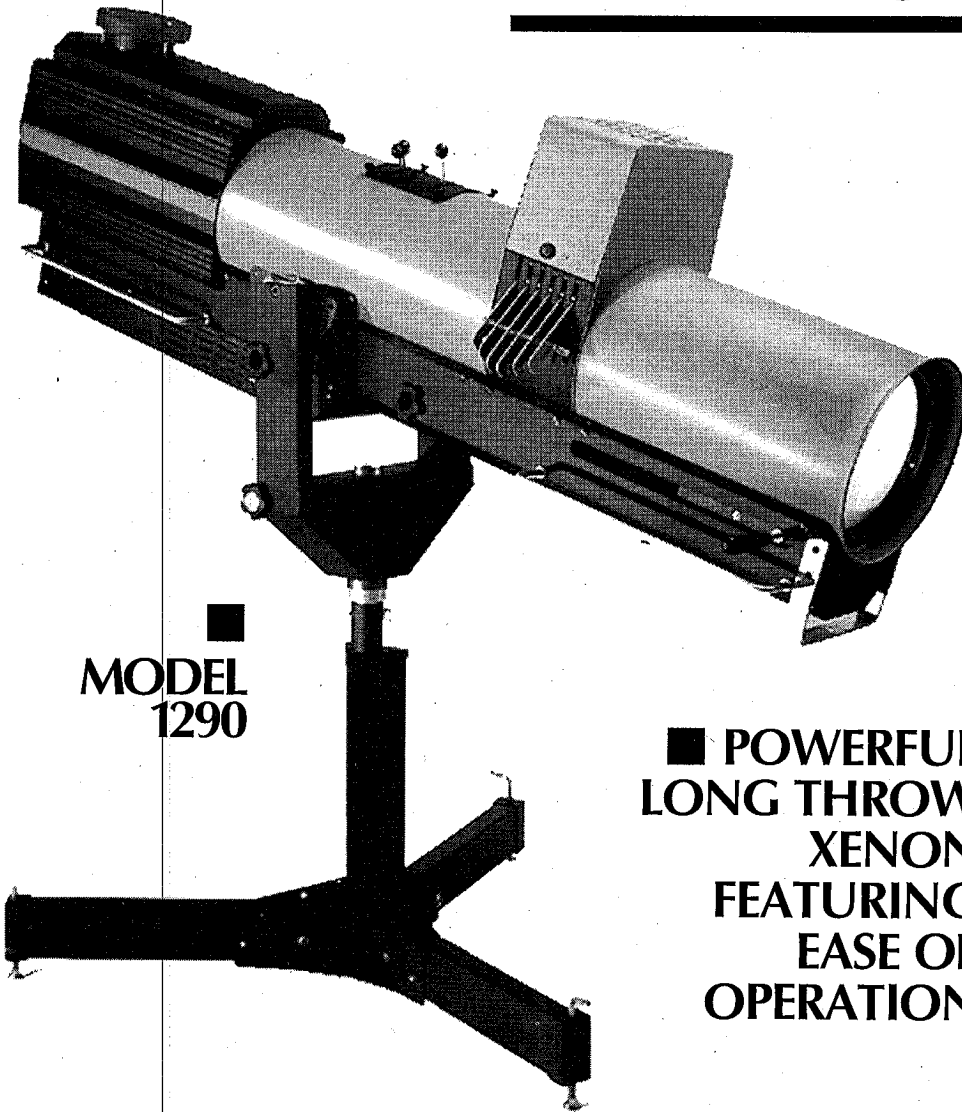


# 1290

2kW  
XENON

# XLT

## LONG THROW



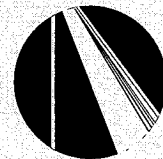
■  
MODEL  
1290

■ **POWERFUL  
LONG THROW  
XENON  
FEATURING  
EASE OF  
OPERATION**

- DICHROIC "COLD MIRROR" REFLECTOR • OPTICAL GRADE LENSES
- GOBO SLOT • NICHROME IRIS • CHOPPING SHUTTER
- FADER • QUICK FOCUS KNOB

### ■ FEATURES

- Separate slot for diffuser, UV or correction filter
- Center mounted 6-color boomerang, uses industry standard color frame for gels and dichroics
- Single lever trombone intensifies the beam as the diameter is reduced
- Operable from left side or right side of fixture via dual controls and reversible boomerang
- Ball bearing movements on pan and tilt function
- Quarter turn handle lock on trombone slide
- Rapid tilt balance adjustment to suit operator
- Four follow / carrying handles
- Folding 3 leg base and yoke assembly
- All parts easily removable for cleaning and maintenance
- Self contained power supply with easy removal for maintenance
- Ammeter and control for lamp current
- Hours meter
- 100 - 120 & 208 - 240 VAC
- 50 or 60 Hz operation



**LYCIAN**  
STAGE LIGHTING

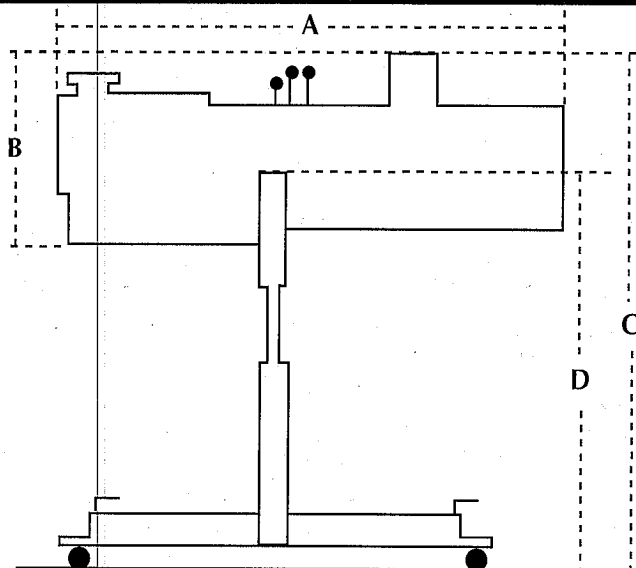
# 1290 XLT

## MODEL 1290

### ARCHITECTS' & ENGINEERS' SPECIFICATIONS

The luminaire shall be a 2000 watt follow spotlight designed to be used with various manufacturer's 2kw xenon lamps. The optical train shall consist of a high-precision, electro-formed, coated reflector, heavy duty nichrome iris, chopping shutter, gobo holder, fader, effect slot and a single lever variable focal length zoom objective lens system. A rapid focus knob located on both sides of the spotlight shall focus within 4 revolutions. All lenses shall be clear optical grade lenses. The color boomerang shall be mid-mounted and reversible and use industry standard 9" frames. Top mounted controls for the iris, fader, and shutter along with dual control for zoom and a reversible color boom shall make the spotlight readily convertible from right to left operation. Power for the spotlight shall be a bottom mounted self-contained power tray and shall be readily removable for servicing. Cooling shall be provided by three quiet blowers. A slide control shall be provided to adjust the tilt balance to suit individual operators. The spotlight body shall be constructed of cold rolled sheet steel and aluminum extrusions and shall be finished in light grey and black wrinkle powder coated baked finish. A three legged folding base shall be provided. Head dimensions shall not exceed 73"L x 22.5"H x 19.5"W (including controls) with a head weight of 187 lbs. The spotlight shall be internally switchable to operate on either 100-120 or 208-240 VAC 50 or 60 Hz. The spotlight is of the xenon type which must be operated and maintained by individuals trained in the operation, maintenance, and hazards of xenon lamps. The spotlight shall be the Lycian Stage Lighting Model 1290 XLT.

### DIMENSIONS



- A. Head length 73"
- \*B. Head height - 22 1/2"
- \*C. Overall height with base 64 1/2"
- \*D. Height of pivot - 49"

\*Additional upward height adjustment of 6"

- Width of base- 51"
- Maximum width of head - including all controls 19 1/2"
- Head weight - 187 lbs.
- Base weight - 72 lbs.

### ORDERING CODE

■ 1290 XLT

### PHOTOMETRICS

THROW	100 ft.	150 ft.	200 ft.	300 ft.	450 ft.
<b>SPOT</b>					
Footcandles	1300	578	325	144	64
Min. Diameter (ft.) .5°	1	1.5	2	3	4.5
Max. Diameter (ft.) 3°	6	9	12	18	27
<b>FLOOD</b>					
Footcandles	200	89	50	22	10
Max. Diameter 7.5°	15	22.5	30	45	67



**LYCIAN**  
STAGE LIGHTING

PO BOX D, KINGS HIGHWAY  
SUGAR LOAF, NY • 10981-0214 • U.S.A.  
PHONE: (845) 469-2285 • FAX: (845) 469-5355

All specifications subject to change. © 1996 Lycian Stage Lighting