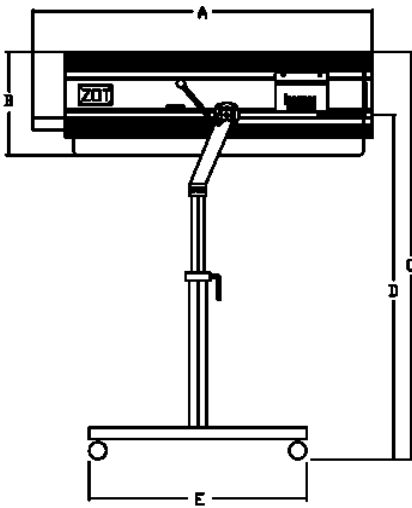


The luminaire is available in 4 versions- ZOT 12, a 1200 watt tungsten, Zot 5, a 575 watt MSR/HMI, ZOT 7, A 700 watt MSR and ZOT 12 HP, a 1200 watt MSR. Spot diameter shall be controlled via an insulated external lever, controlling a unique optical light intensifier system, linked to a nichrome steel iris. This "Spot Size Control" intensifies the light as the unit goes from flood to spot. Units that iris down without an increase in light output shall not be acceptable. The unit shall include an external fine focus control, rear operated fader and a side mounted 6- color, self-cancelling boomerang. A resiliently mounted, dichroic glass reflector and optical quality glass lenses shall complete the optical system. Lamping shall be through a rear door using a 1/4 turn latch. Units requiring the removal of screws or requiring handling of the glass parts of the lamp shall not be acceptable. Lamping utilizes a "bayonet" style lamp/socket combination. The lamp is inserted through the socket and with a slight twist, locks in place. The ZOT, 5, 7, 12, shall have self-contained power supplies with an ON/OFF switch. Zot 5 & 7 also include a circuit breaker. An 11 foot line cord, terminated in a NEMA 5-15P connector is also supplied. The ZOT 12HP shall have an external power supply connected to the spotlight head via a 6 foot flexible cord terminated in a head mounted twist- loc type connector. The ON/ OFF switch and circuit breaker shall be power supply mounted. The external power supply shall have a 10 foot line cord terminated in a NEMA 5-15P connector. A Lycian "forward lean" yoke will be included. A three legged fixed base will be standard with an optional tripod available. The ZOT yokes utilize the industry standard 1-1/8" male spigot, allowing the spotlight to be mounted on stands or mounting brackets using that standard. The yoke shall allow for a 70 degree downward tilt and 35 degree upward tilt. Units shall be cooled by low volume (70 cfm maximum) muffin fans. Units using high volume fans shall not be acceptable. Housing shall be constructed of extruded aluminum and cold rolled steel and be powder coated using black and gold powder. Unit heads (all units) shall measure 42-1/2" long x 15" wide and 13" high including all controls.

LYCIAN STAGE LIGHTING, ZOT 5, ZOT 7, ZOT 12, ZOT 12HP shall be specified. Units are manufactured in the United States of America

PHOTOMETRICS



- A. Head Length- 42-1/4"
- B. Head Height- 13"
- C. Overall Height with Base- 46-1/2"
- * Additional upward height adjustment 13"
- *D. Height of Pivot- 39-3/4"
- E. Base Width- 40"
- Maximun Width of Head- 14"

Distance	30 ft.	60ft	80 ft.	100 ft.	125 ft
Distance	9 meters	18 meters	25 meters	30 meters	38 meters
Spot Dia. Feet	7"	15"	17"	21"	2' 3"
Spot Dia. Meters	18 cm	38 cm	43 cm	53 cm	69 cm
Flood Dia. Feet	4' 5"	8' 10"	11' 9"	16' 5"	18' 4"
Flood Dia. Meters	1.3 m	2.7 m	3.6 m	5 m	5.6 m

ZOT 12

FC Spot	708	177	100	64	41
Lux Spot	7621	1905	1076	689	441
FC Flood	653	120	92	59	38
Lux Flood	7029	1292	990	635	409

ZOT 5

FC Spot	1035	259	145	93	60
Lux Spot	11,141	2788	1561	1001	646
FC Flood	654	163	92	59	38
Lux Flood	7040	1755	990	635	409

ZOT 7

FC Spot	1524	381	214	137	88
Lux Spot	16,404	4101	2304	1475	947
FC Flood	1361	340	191	123	78
Lux Flood	14,650	3660	2056	1324	840

ZOT 12 HP

FC Spot	2613	653	368	235	151
Lux Spot	28,126	7029	3961	2530	1625
FC Flood	1960	653	368	235	151
Lux Flood	21,097	5274	2971	1894	1216

ORDER CODE

- 1200W Tungsten Followspot
- 575W ARC Followspot
- 700W ARC Followspot
- 1200W ARC Followspot
- Tripod (Optional Substitute for Fixed Base)

Followspots inc. Head, Yoke, & Base

Specifications subject to change



LYCIAN
STAGE LIGHTING

PO Box 214, 1144 Kings Highway
Sugar Loaf, NY 10981 USA
Tel: +1 (845) 469-2285