

ZOT LED

A Remarkably Bright LED Followspot At A Budget Friendly Price



Beam Angle: 6°-15°

LED CLASS LEADING OUTPUT

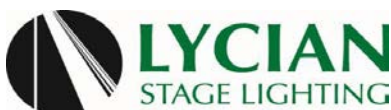
FEATURES

350 WATT LED

- Internal Electronic Flicker Free Power Supply
- New Trombone for Impressive 3-1 Spot – Zoom Ratio
- New ultra-smooth mechanical dimmer
- Fine Focus to Soften & Harden Edge
- Includes 3 Legged Base With Casters
- Zoom Optics
- Internal 5- Color Boomerang
- Single Quiet Fan

The ZOT LED builds on the success of the existing ZOT line. Enjoy the benefits of green technology while enjoying unsurpassed light output. The ZOT LED is an affordable followspot that doesn't sacrifice beam quality. The ZOT LED runs cool with no lamp change plus gives you legendary Lycian durability. It's an outstanding performer in a wide variety of uses.

SO BRIGHT IT'S HARD TO BELIEVE ITS LED



PO Box 214 Sugar Loaf NY 10981 USA

+1 (845) 469-2285
www.lycian.com



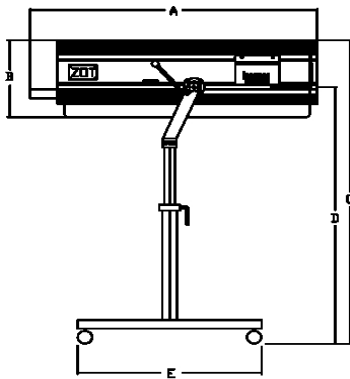
ZOT LED

ZOT LED PHOTOMETRICS

Distance Feet	30'	60'	80'	100'	125'	150'
Distance Meters	9 Meters	18 Meters	25 Meters	30 Meters	38 Meters	45 Meters
Spot Dia. Feet	3	6' 4"	8	10' 6"	13' 3"	15' 8"
Spot Dia. Meters	1	2	2.4	3.2	4	4.8
Flood Dia. Feet	8	15' 8"	21	26' 3"	32'8"	40'
Flood Dia. Meters	2.4	4.8	6.4	8	10	12.2
FC Spot	1070	267	150	96	61	43
Lux Spot	11,517	2874	1615	1033	657	463
FC Flood	427	107	60	38	25	17
Lux Flood	4596	1151	646	409	269	183

Beam Angle 6-15°

DIMENSIONS



Followspot inc. Head, Yoke, Fixed Base
with Casters

- A. Head Length- 43-1/4" (1099mm)
- B. Head Height- 13" (330 mm)
- C. Overall Height with Base- 46-1/2" (1181mm)
- * Additional upward height adjustment 13" (330mm)
- *D. Height of Pivot- 39-3/4" (1010mm)
- Maximum Width of Head- 14" (356mm)
- E. Base max. Width- 30" (762mm)

Electrical Operation:

100-240V, 50 or 60 Hz.- Auto Switching
 Certifications- UL, CUL, CE Pending
 Power Cord Length 12' (3.6M)



PO Box 214 Sugar Loaf NY 10981 USA

+1 (845) 469-2285
www.lycian.com



Specifications subject to change without notice
 .5.8.18